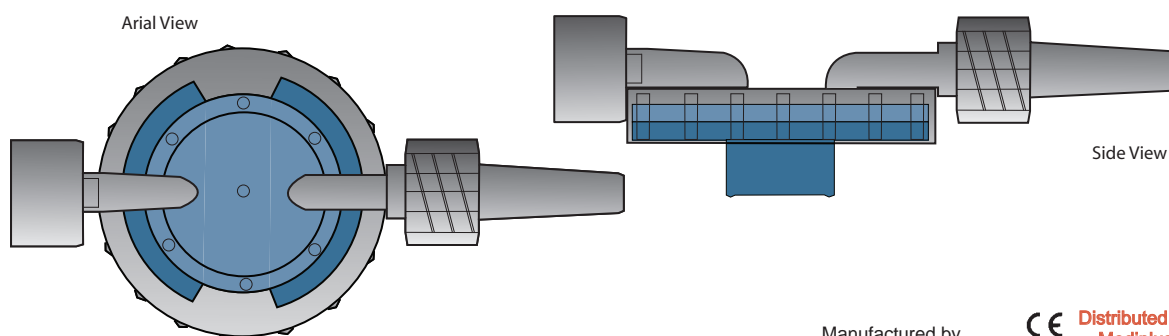


Transducer Pressure Domes

To complete the range of urodynamics products available from Mediplus, we now offer several popular pressure transducer domes.

The MX848 - Novatrans® II disposable dome with male/female luer lock is a hygienic, cost effective solution with its disposable dome, easy to use “snap-grid” coupling and high precision measurement. The main feature of the MX848 is that it has no liquid between the transducer and the dome diaphragms.

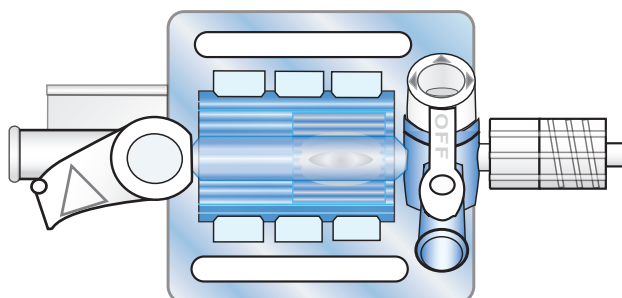


Manufactured by
Smiths Medical International

CE 0086
Distributed by
Mediplus

Also available with two stopcocks - order code MX848X2SC.

The MX950X2SC - Transtar disposable pressure dome transducer with 2 stopcocks is designed for use with the Medex clamp and modular plating system.



Manufactured by
Smiths Medical International

CE 0086
Distributed by
Mediplus

Code	Product Description	Pack Quantity
MX848	Novadome for Novatrans, single-use	50
MX848X2SC	Novadome for Novatrans with 2 stopcocks, single-use	25
MX950X2SC	Transtar DPT with 2 stopcocks, single-use	10
MX960XY	Logical Dome, male/female	50
MX960XX	DPS Dome, male/female	50
D-1500	pvb Hybrid Pressure Dome, single-use	50
BHT-2000	Reusable Pressure Transducer	1
840-22	Memscap Dome	50
844-28	Memscap Dome	50
844-33	Memscap AS	50